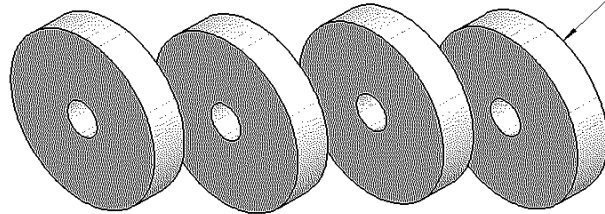
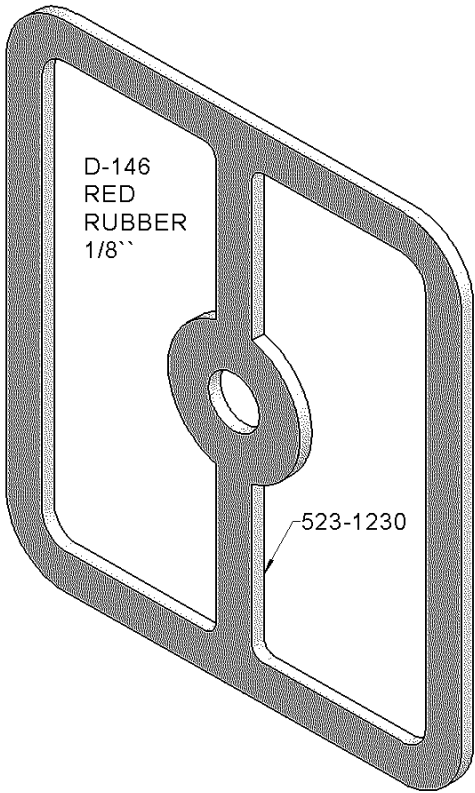


523-1235

D-145
RED
RUBBER
1/8"

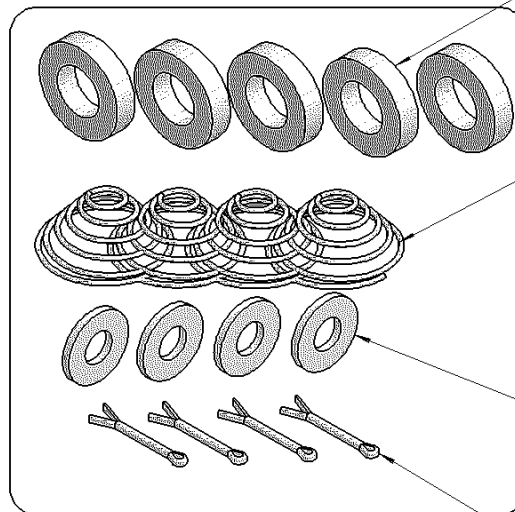


522-5100



D-146
RED
RUBBER
1/8"

523-1230



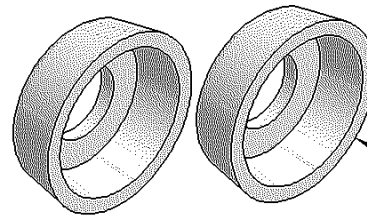
523-0275 (Q.5)
13/16 X 7/16 X 3/16

522-4210
N-26

523-0371
ENSEMBLE

522-5312

522-3512



523-2035
1-1/2 X 5/8

523-0506 KIT SOUTHERN P-275

UNLESS OTHERWISE SPECIFIED
DIMENSIONS ARE IN INCHES
DECIMALS ANGULAR

XX ± .01 ± 1'

.XXX ± .005

DRAWN
F LAINESSE 2006-02-07

REVISED

MAT'L

POMPCO INC

TITLE
523-0506 KIT SOUTHERN P-275

SIZE DWG NAME REV

C 523-0506 KIT SOUTHERN P-275

SCALE SHEET 1 OF 1

Parts List

ITEM	QTY	PART NUMBER	DESCRIPTION
1	4	522-3512 CUTTER PINS 1/16" X 3/4"	GROUPILLES
2	4	522-4201 RESSORT DE SOUPE	
3	4	522-5100 VALVE CAOUTCHOUC 1.5	
4	4	522-5312 WASHERS 1/4"	RONDELLES 1/4
5	5	523-0275 PACKING 0.812 X 0.437 X 0.187	
6	1	523-1230 JOINT SOUTHERN P-275 (D-146)	D-146
7	1	523-1235 JOINT SOUTHERN P-275 (D-145)	D-145
8	2	523-2035 CUIR PISTON 1.5 X 0.625	