



The MJ injection centrifugal pumps are exceptionally reliable and efficient. Specially designed for domestic purposes, they can also be used to pump water from wells, streams, ponds and many other sources of water.

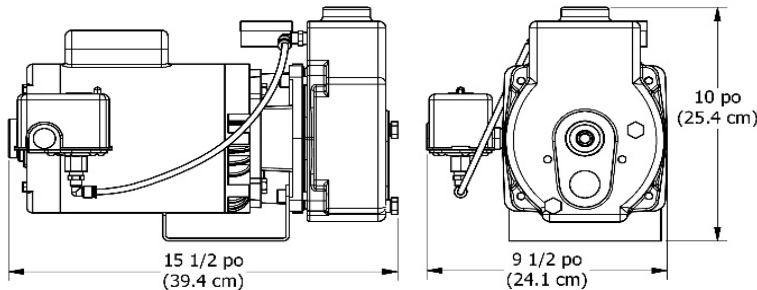
Molded in Noryl, the high-precision impeller assures the MJ models an optimum efficiency. To eliminate all vibrations, the impeller is screwed to the shaft of the motor.

Its stainless steel disc distinguishes this pump from any other. In fact, this innovation facilitates maintenance and minimises corrosion.

The housing and the motor bracket are made of grey cast iron and are machined with such precision that it maximizes considerably the performance. These parts are then treated with 1 layer of urethane paint that gives superior resistance to corrosion.

- Single-phase motor, "**J-face**" flange, 3450 RPM, 60 hz, 115/230 Volts, automatic thermal protection and stainless steel shaft.

- Internal disc for easy maintenance
- Pressure switch 30/50 lb/in²
- Pressure gauge 0 - 100 P.S.I.
- Ejector not included.**



All pumps are tested at our factory.
Also available: Other voltages and TEFC motors

Part number	Model	Motor H.P. (kW)	Suction inch (mm)	Discharge inch (mm)	Length in (cm)	Shipping weight lb (kg)
513-0020	MJ-50	1/2 (.37)	1 ¼" (31.75)	1" (25.4)	14.50 (36.9)	46 (21)
513-0030	MJ-75	3/4 (.55)	1 ¼" (31.75)	1" (25.4)	14.75 (37.5)	50 (23)
513-0040	MJ-100	1.0 (.75)	1 ¼" (31.75)	1" (25.4)	15.00 (38.1)	52 (24)

Convertible MJ



PERFORMANCE CHART - SHALLOW WELL APPLICATION

Model	Motor H.P. (kW)	Venturi & Nozzle	Discharge Pressure P.S.I. (kPa)	DEPTH OF WATER IN FEET (METERS)					Shut-off PSI (kPa)
				5 (1.52)	10 (3.05)	15 (4.57)	20 (6.10)	25 (7.62)	
				CAPACITY - U.S. GALLONS/HOUR (LITERS / HOUR)					
REGULAR PRESSURE									
MJ-50	1/2 (.37)	326	20 (138)	1040 (3931)	920 (3478)	790 (2986)	560 (2117)	430 (1625)	60 (414)
			30 (207)	1010 (3818)	890 (3364)	780 (2948)	550 (2079)	420 (1588)	
			40 (276)	800 (3024)	750 (2835)	690 (2608)	510 (1928)	380 (1436)	
MJ-75	3/4 (.55)	366	20 (138)	1350 (5103)	1185 (4479)	1070 (4045)	800 (3024)	570 (2155)	62 (427)
			30 (207)	1340 (5065)	1165 (4404)	1060 (4007)	795 (3005)	565 (2136)	
			40 (276)	1000 (3780)	940 (3553)	880 (3326)	740 (2797)	480 (1814)	
MJ-100	1 (.75)	386	20 (138)	1430 (5405)	1225 (4631)	1150 (4347)	875 (3308)	650 (2457)	63 (434)
			30 (207)	1430 (5405)	1215 (4593)	1130 (4271)	870 (3289)	650 (2457)	
			40 (276)	1260 (4763)	990 (3742)	940 (3553)	780 (2948)	595 (2249)	
HIGH PRESSURE									
MJ-50	1/2 (.37)	287	30 (207)	780 (2948)	710 (2684)	612 (2313)	510 (1928)	410 (1550)	75 (518)
			40 (276)	590 (2230)	530 (2003)	460 (1739)	380 (1436)	315 (1191)	
			50 (345)	370 (1399)	340 (1285)	300 (1134)	250 (945)	205 (775)	
			60 (414)	185 (699)	170 (642)	150 (567)	125 (472)	100 (378)	
MJ-75	3/4 (.55)	327	30 (207)	1080 (4082)	975 (3686)	845 (3194)	700 (2646)	565 (2136)	72 (497)
			40 (276)	990 (3742)	895 (3383)	775 (2930)	640 (2419)	520 (1965)	
			50 (345)	670 (2532)	605 (2287)	525 (1985)	440 (1663)	360 (1361)	
			60 (414)	380 (1436)	345 (1304)	300 (1134)	250 (945)	210 (794)	
MJ-100	1 (.75)	347	30 (207)	1160 (4385)	1050 (3969)	910 (3440)	750 (2835)	610 (2306)	74 (511)
			40 (276)	1150 (4347)	1040 (3931)	900 (3402)	740 (2797)	600 (2268)	
			50 (345)	840 (3175)	760 (2873)	660 (2495)	550 (2079)	450 (1701)	
			60 (414)	490 (1852)	450 (1701)	390 (1474)	325 (1229)	270 (1021)	

SHALLOW WELL EJECTOR KITS

(included: ejector body, venturi tube, nozzle, ejector gasket, bolts and washers)

REGULAR PRESSURE

Part number	Model	H.P.	Diameter	
			Venturi	Nozzle
513-0160	OJ-7-50S	1/2	32/64	16/64
513-0170	OJ-7-75S	3/4	36/64	16/64
513-0180	OJ-7-100S	1	38/64	16/64

HIGH PRESSURE

Part number	Model	H.P.	Diameter	
			Venturi	Nozzle
513-0165	OJ-7-50H	1/2	28/64	17/64
513-0175	OJ-7-75H	3/4	32/64	17/64
513-0185	OJ-7-100H	1	34/64	17/64





Convertible MJ

PERFORMANCE CHART - DEEP WELL APPLICATION

Model	Motor H.P. (kW)	Venturi & Nozzle	Discharge Pressure P.S.I. (kPa)	DEPTH OF WATER IN FEET												
				20	30	40	50	60	70	80	90	100	110	120		
				CAPACITY - U.S. GALLONS/HOUR (LITERS/HOUR)												
MJ-50	1/2 (0.37)	245	20	670	650	580	500	400	280							
			30	610	530	450	380	300	200							
			40	430	360	290	210	140	70							
			50	240	180	130	80	20								
		235	20			500	430	360	290	220						
			30			390	330	280	220	170						
			40			240	200	160	120	80						
			50			140	105	70	30							
		225	20				310	300	280	210	160	100				
			30				310	280	230	180	120	80				
			40				220	180	140	100	50	20				
			50				110	85	60	30						
MJ-75	3/4 (0.55)	234	20	910	810	690	570	460	340							
			30	770	640	580	490	400	300							
			40	600	510	420	340	230	150							
			50	380	310	230	170	70								
		226	20			470	450	430	360	260	215	150				
			30			470	440	410	350	260	215	140				
			40			420	360	300	250	170	130	60				
			50			290	250	200	170	90	50					
		225	20					310	280	240	200	160	110	80		
			30					260	250	210	180	160	110	80		
			40					240	200	170	140	100	60	30		
			50					140	110	80	70	30	10			
MJ-100	1(0.75)	234	20	910	910	770	630	480	360	230						
			30	910	780	670	540	430	320	210						
			40	700	600	500	380	300	200	110						
			50	480	390	310	210	130	50							
		226	20			470	470	450	380	280	230	160	100			
			30			470	470	420	370	270	220	150	100			
			40			430	380	320	270	200	150	90	50			
			50			310	260	210	180	110	60	10				
		225	20					310	290	250	210	170	120	90		
			30					310	280	240	190	170	120	90		
			40					265	230	190	150	110	70	40		
			50					160	130	100	75	40	15			

To convert feet into meters: multiply by 0,3048// To convert U.S. gallons into liters: multiply by 3,785

DEEP WELL EJECTOR KITS

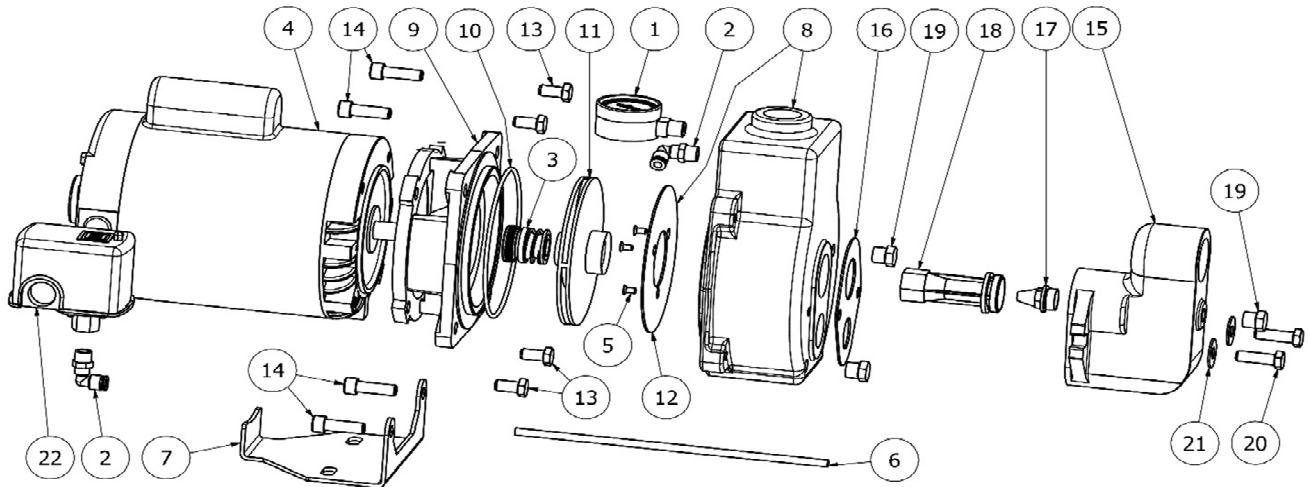
(included: ejector body, venturi tube and nozzle)



Part number	Model	Diameter		
		Venturi	Nozzle	
513-0190	AJ37 FP 225	22/64	15/64	
513-0200	AJ37 FP 235	23/64	15/64	
513-0210	AJ37 FP 226	22/64	16/64	
513-0230	AJ37 FP 245	24/64	15/64	
513-0250	AJ37 FP 234	23/64	14/64	

Replacement parts

MJ/OJ



#	Part number	Description	Models		
			MJ-50	MJ-75	MJ-100
1	044-0100	PG-1002-4L pressure gauge (NL)	1	1	1
2	023-0572	Brass elbow VT-229-4-4	2	2	2
3	124-0130	2000V model mechanical seal	1	1	1
4	151-1210	1/2 H.P. motor « J-face » flange 115/230 Volts	1		
4	151-1230	3/4 H.P. motor « J-face » flange 115/230 Volts		1	
4	151-1250	1.0 H.P. motor « J-face » flange 115/230 Volts			1
5	225-0024	Philips 10-24 x 3/8 flat head screw	3	3	3
6	242-0500	MV-4040-1 polyethylene tubing	1	1	1
7	310-0240	Pump base for MJ/OC	1	1	1
8	511-0050	Pump body—assembly (MJ)	1	1	1
8	515-0050	Pump body—assembly (QJ)			
9	515-0015	Motor bracket (MJ)	1	1	1
10	515-0020	5 1/2 x 5 1/4 x 1/8 O'ring	1	1	1
11	515-0042	MJ-50 4.720" impeller	1		
11	515-0044	MJ-75 5.000" impeller		1	
11	515-0046	MJ-100 5.200" impeller			1
12	515-0051	S/S disk	1	1	1
13	515-0065	3/8" - 16 x 3/4" hexagonal bolt (plated)	4	4	4
14	515-0070	3/8" - 16 x 1 1/4" hexagonal bolt (plated)	4	4	4
19	522-3510	1/4" N.P.T. Stainless Steel plug	2	2	2
22	661-0124	FSG-2 / 30-50 pressure switch	1	1	1
23	515-0250	Repair Kit (Impeller, Seal) MJ-50	Inclus: 3,10,11		
24	515-0275	Repair Kit (Impeller, Seal) MJ-75	Inclus: 3,10,11		
25	515-0300	Repair Kit (Impeller, Seal) MJ-100	Inclus: 3,10,11		
Shallow well ejector			Deep well ejector		
15	515-0109	Shallow well ejector body	310-0030	Deep well ejector body	
16	515-0120	Shallow well ejector gasket	310-0110	14/64" Nozzle S/S	
17	515-0140	16/64" Nozzle S/S	310-0105	15/64" Nozzle S/S	
17	515-0141	17/64" Nozzle S/S	310-0100	16/64" Nozzle S/S	
18	515-0151	28/64" Short venturi tube	310-0090	22/64" Long venturi tube	
18	515-0152	32/64" Short venturi tube	310-0092	23/64" Long venturi tube	
18	515-0153	34/64" Short venturi tube	310-0094	24/64" Long venturi tube	
18	515-0154	36/64" Short venturi tube			
18	515-0156	38/64" Short venturi tube			
19	522-5313	5/16" washer (plated)			