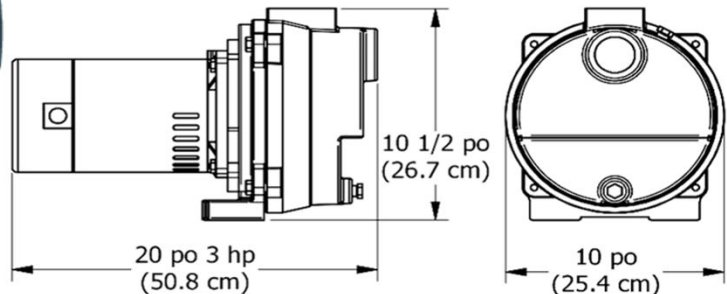


# Self priming centrifugal PLSH



Ideal for lawn sprinkling systems, irrigation and other areas where high capacity self-priming pumps are required.



Model	Motor	Suction In (mm)	Discharge In (mm)	ODP			TEFC		
				Part number	Volts		Part number	Volts	
PLSH-75	3/4 (.55)	1 ½" (38.10)	1 ½" (38.10)	335-0075	115/230		335-2075	115/230	
				335-5075	230/460		335-6075	230/460	
				335-7075	575		335-8075	575	
PLSH-100	1.0 (.75)	1 ½" (38.10)	1 ½" (38.10)	335-0100	115/230		335-2100	115/230	
				335-5100	230/460		335-6100	230/460	
				335-7100	575		335-8100	575	
PLSH-150	1.5 (1.1)	1 ½" (38.10)	1 ½" (38.10)	335-0150	115/230		335-2150	115/230	
				335-5150	230/460		335-6150	230/460	
				335-7150	575		335-8150	575	
PLSH-200	2.0 (1.5)	1 ½" (38.10)	1 ½" (38.10)	335-0200	115/230		335-2200	115/230	
				335-5200	230/460		335-6200	230/460	
				335-7200	575		335-8200	575	

## FEATURES

- On site maintenance possible due to an easy access to internal parts.
- Maximum water volume in pump housing assures easy and fast priming.
- Unique design of housing and polycarbonate + fiber impeller helps provide high heads.
- Hard to unprimed even with bubbles in the water.
- Long life assured by non-corrosive paint and strong construction.

## CHARACTERISTICS

- Single phase motor, **square flange**, 60 Hz, 115/230 Volts, capacitor starting, automatic thermal protection
- Priming up to 25 feet (**7.62 m**)

**All pumps are tested at our factory**

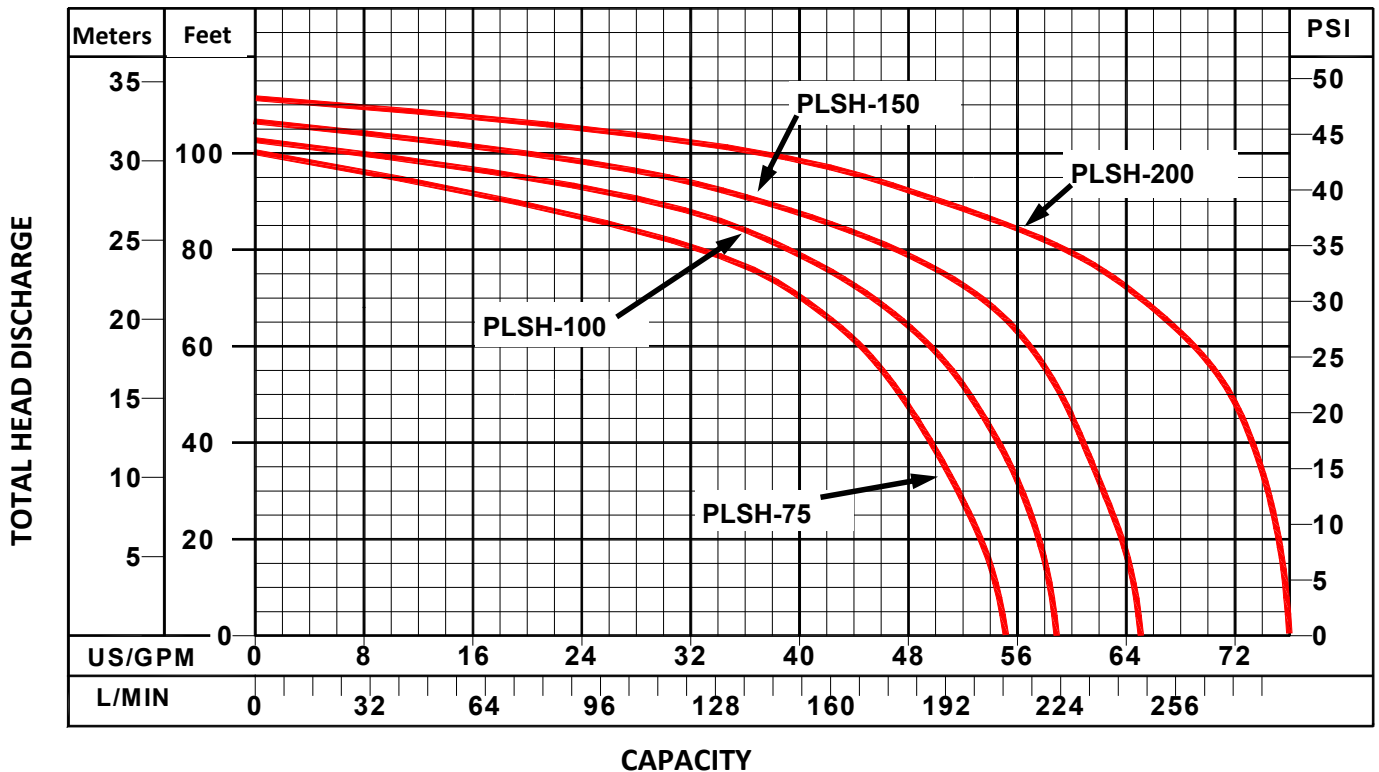


# Pumping curves

## PLSH

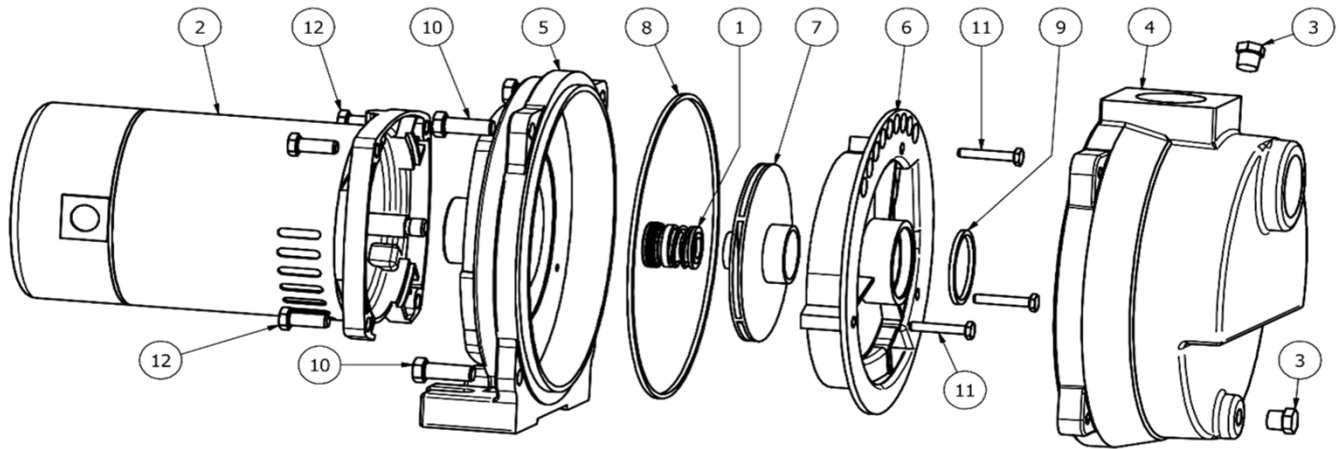
Model	Motor H.P. (kW)	Discharge pressure P.S.I. (kPa)	Pumping depth in feet (Meters)				
			5 (1.52)	10 (3.05)	15 (4.57)	20 (6.10)	25 (7.62)
			Capacity - U.S. Gallons per Minute (liters per Minute)				
PLSH-75	3/4 (.55)	10 (69)	52 (197)	49 (185)	45 (170)	41 (155)	35 (132)
		20 (138)	46 (174)	44 (166)	40 (151)	36 (136)	30 (113)
		30 (207)	39 (147)	35 (132)	30 (113)	25 (95)	19 (72)
PLSH-100	1.0 (.75)	10 (69)	56 (212)	52 (197)	49 (185)	45 (170)	37 (140)
		20 (138)	52 (197)	48 (181)	45 (170)	40 (150)	32 (121)
		30 (207)	45 (170)	40 (151)	37 (140)	30 (113)	22 (83)
		40 (276)	20 (76)	14 (53)			
PLSH-150	1.5 (1.1)	10 (69)	63 (238)	59 (223)	55 (208)	50 (189)	39 (148)
		20 (138)	58 (219)	55 (208)	51 (193)	46 (174)	35 (133)
		30 (207)	53 (200)	50 (189)	45 (170)	40 (150)	26 (98)
		40 (276)	32 (121)	26 (98)	13 (49)		
PLSH-200	2.0 (1.5)	10 (69)	74 (281)	70 (266)	66 (248)	59 (224)	47 (179)
		20 (138)	71 (268)	68 (258)	62 (236)	56 (212)	44 (166)
		30 (207)	64 (241)	61 (229)	56 (212)	51 (192)	39 (147)
		40 (276)	44 (168)	38 (143)	26 (99)		

Model	PLSH-75	PLSH-100	PLSH-150	PLSH-200
Shut off P.S.I (kPa)	43 (296)	44 (303)	46 (317)	48 (330)



# Replacement parts

PLSH



#	Part number	Description	Models			
			PLSH-75	PLSH-100	PLSH-150	PLSH-200
1	<b>124-0130</b>	2000 model mechanical seal	1	1	1	1
2	<b>151-2140</b>	3/4 H.P. motor square flange (SF1.5)	1			
2	<b>151-2180</b>	1.0 H.P. motor square flange (SF1.4)		1		
2	<b>151-2265</b>	1.5 H.P. motor square flange (SF1.47)			1	
2	<b>151-2270</b>	2.0 H.P. motor square flange (SF1.3)				1
3	<b>522-3510</b>	¼ NPT plug (plated) S/S	1	1	1	1
4	<b>330-0010</b>	Pump body	1	1	1	1
5	<b>330-0020</b>	Mechanical seal plate	1	1	1	1
6	<b>330-0030</b>	Diffuser	1	1	1	1
7	<b>330-0035</b>	2.0 H.P. impeller				1
7	<b>330-0040</b>	1.5 H.P. impeller			1	
7	<b>330-0050</b>	1.0 H.P. impeller		1		
7	<b>330-0055</b>	3/4 H.P. impeller	1			
8	<b>330-0060</b>	Square o'ring pump body	1	1	1	1
9	<b>330-0070</b>	Round o'ring diffuser	1	1	1	1
10	<b>330-0080</b>	7/16"-14 x 1-1/4" screw (plated)	4	4	4	4
11	<b>330-0090</b>	1/4"-20 x 1-1/2" screw (S/S)	3	3	3	3
12	<b>519-0150</b>	3/8"-16 x 1" hexagonal bolt (plated)	4	4	4	4