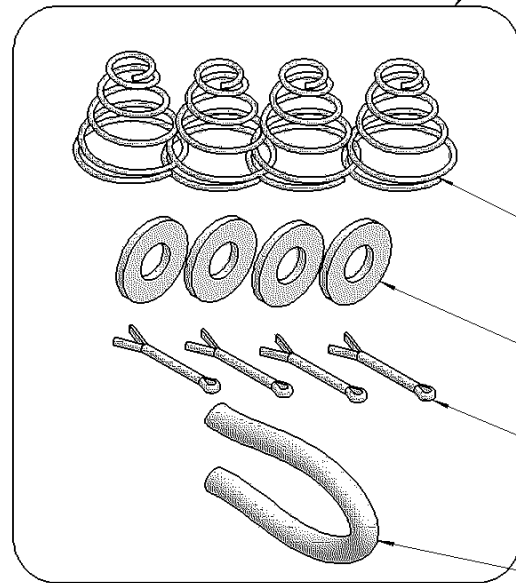


**523-0360
ENSEMBLE**

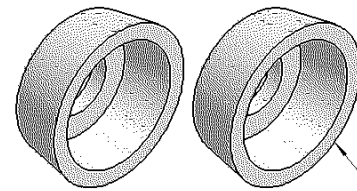


523-0420
#25

522-5312

522-3512

523-0310
5po



523-2010
1-1/4 X 1/2

523-0011 KIT FAIRBANK MORSE-250

UNLESS OTHERWISE SPECIFIED
DIMENSIONS ARE IN INCHES
DECIMALS ANGULAR
XX ± .01 ± 1°

POMPCO INC

Parts List			
ITEM	QTY	PART NUMBER	DESCRIPTION
1	4	522-3512 CUTTER PINS 1/16 X 3/4	GOUPILLES
2	4	522-5312 WASHER 1/4"	RONDELLE 1/4"
3	4	523-0155 VALVE NEOPRENE 1-1/8 x 1/4	
4	1	523-0310 ETOUPE EN CORDE 5"	5"
5	4	523-0420 RESSORT FAIRBANK #25	#25
6	2	523-1200 JOINT F.-MORSE 200-250 (D-127)	D-127
7	2	523-2005 CUIR PISTON 1-1/4 X 1/2	

XXX ± .005
DRAWN
S ST-PIERRE 2006-02-20
REVISED
MAT'L

TITLE		
523-0011 FAIRBANK MORSE-250		
SIZE	DWG NAME	REV
C	523-0011 FAIRBANK MORSE-250	
SCALE	SHEET 1 OF 1	